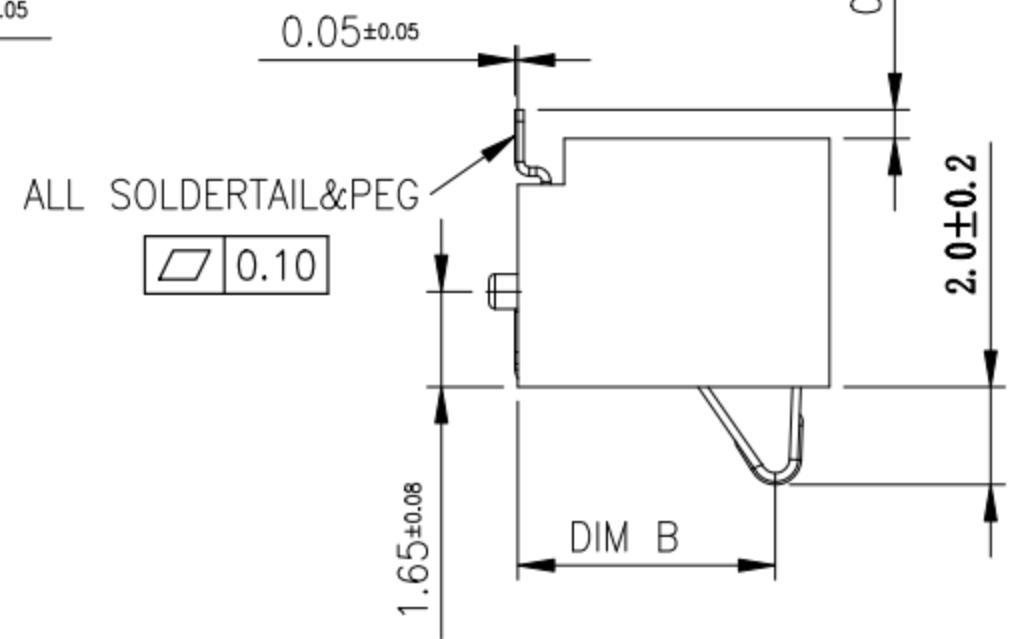
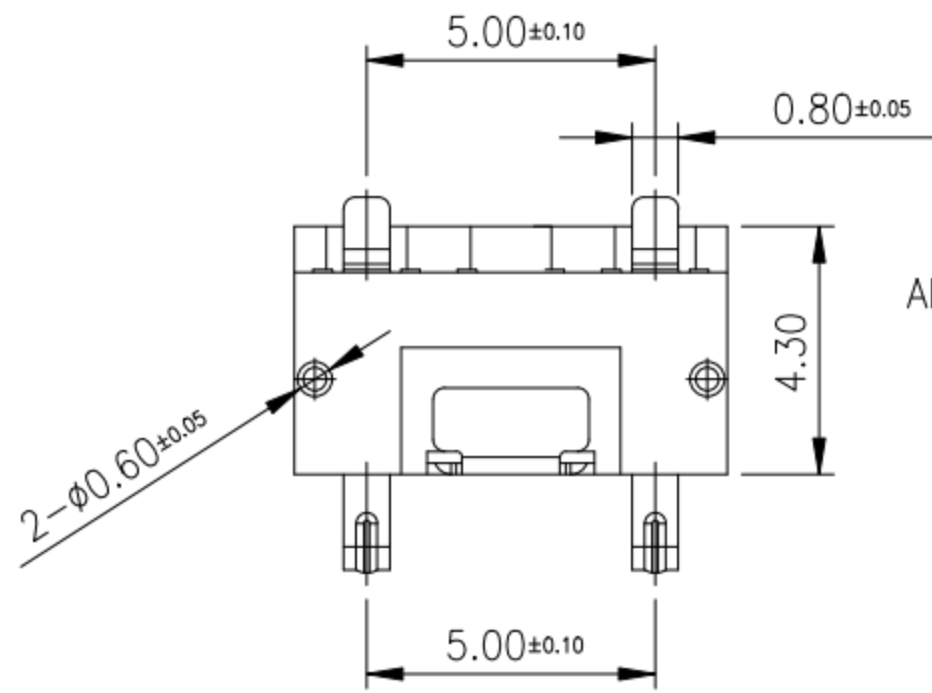
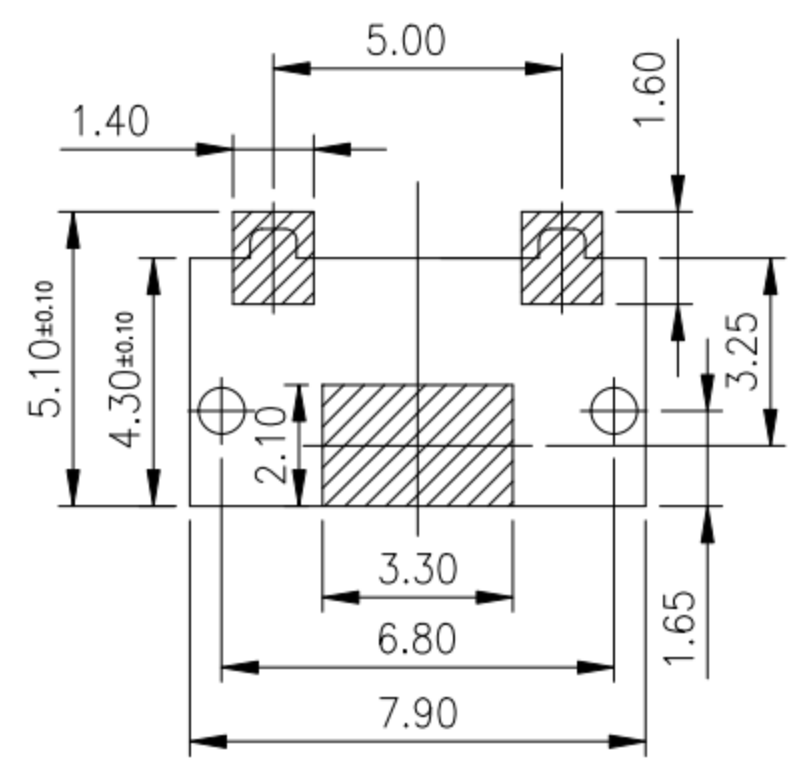
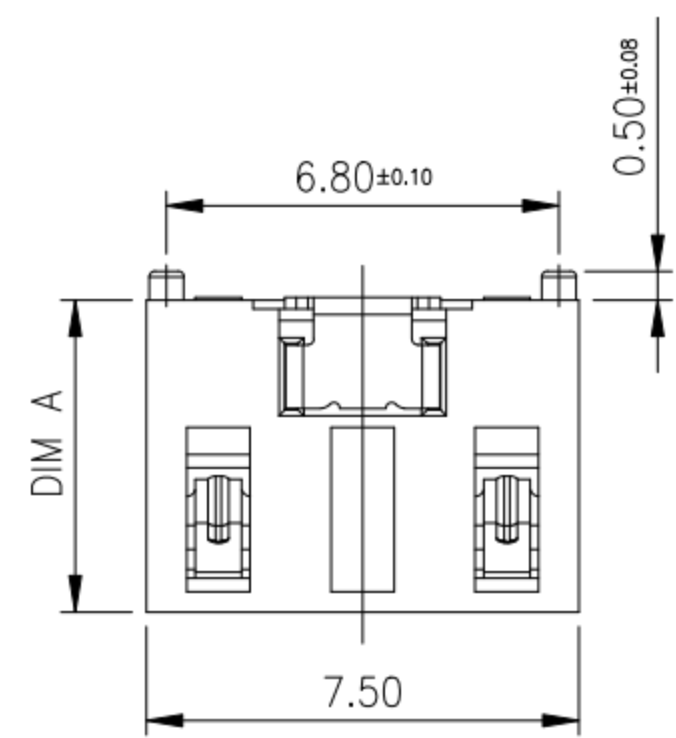


|      |         |             |        |            |
|------|---------|-------------|--------|------------|
| REV. | ECN NO. | DESCRIPTION | DESIGN | DATE       |
| A    |         | INITIAL     | Kai    | 2018.03.29 |



| DIM A | DIM B |
|-------|-------|
| 5.4   | 4.4   |
| 6.0   | 4.7   |
| 7.0   | 5.6   |
| 8.0   | 6.7   |



性能:  
 额定电流: 3.0A  
 额定电压: 24V  
 耐电压: 500V  
 接触电阻: 30mΩ MAX  
 绝缘电阻: 500MΩ  
 工作温度: -40℃~+85℃  
 塑件(材质): LCP, 耐高温260℃  
 接触点(材质): 铜合金, 触点镀金3U'

**RECOMMENDED PCB LAYOUT**  
**TOP VIEW (.XX±0.05)**

UNLESS OTHERWISE SPECIFIED TOLERANCES

| DECIMALS: |       | ANGLES: |     |
|-----------|-------|---------|-----|
| DIM       | TOL   | DIM     | TOL |
| X.        | ±0.50 | X.      | ±2° |
| X.X       | ±0.30 | X.X     | ±1° |
| X.XX      | ±0.20 | X.XX    |     |
| X.XXX     | ±0.10 | X.XXX   |     |

**东莞市高迪电子有限公司**

|          |            |
|----------|------------|
| DWG NO.  | PART NAME: |
| DESIGN:  | PART NO.   |
| CHECK:   | REV. A     |
| APPROVED | UNIT: mm   |
|          | SHEET: 1/1 |

| ITEM | PART NAME | Q'TY | MATERIAL              | DESCRIPTION | REMARK |
|------|-----------|------|-----------------------|-------------|--------|
| ②    | HOUSING   | 1    | LCP                   |             | BLACK  |
| ①    | CONTACT A | 2    | PHOSPHOR BRONZE 0.20T | Au PLATED   |        |